

CPX-AVB

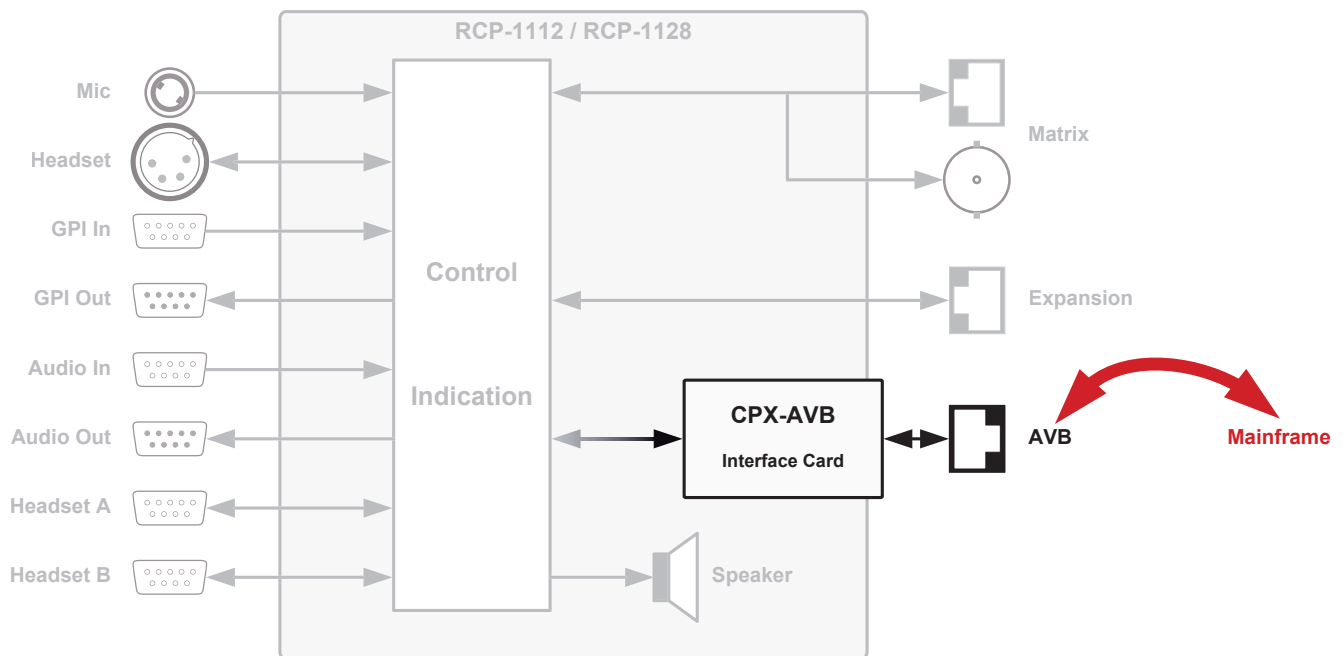
The CPX-AVB interface card integrates Artist 1100 series OLED panels directly into AVB networks. This way the card turns the control panel into an AVB enabled device making its ports available within the entire AVB network.

The expansion card converts two Artist ports to AVB streams and vice versa.



- All audio stream formats from and to Connect AVB devices are compliant with IEEE 1722
- AES bidirectional for Artist Intercom panel connectivity
- Available for 1100 panel series
- AVB network interface with RJ45 socket for 1000BaseT AVB Ethernet
- Plug & Play: The Panel detects the expansion module automatically and switches into AVB mode.
- Coax and RJ45 ports of the panel are disabled when panel is in AVB mode

Block Diagram



Specifications

Audio	
Channels	2 stereo
Audio	Digital Audio as per AES 3-2003 48 / 96 kHz
Resolution	24 Bit
AES Connection	RJ45 connector, direct connection of Artist Intercom Panels

Overall

Operating Temperature	+5 ... +50 °C (Non-condensing)
Supply Voltage	3.3 V / 5 V (supplied via Host Panel)
Power Consumption	max. 4 VA
Dimensions (w×h×d)	63 mm × 30 mm × 54 mm
Weight	30 g