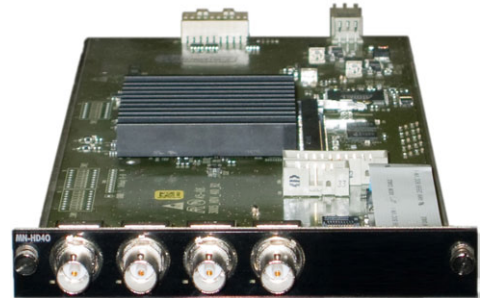


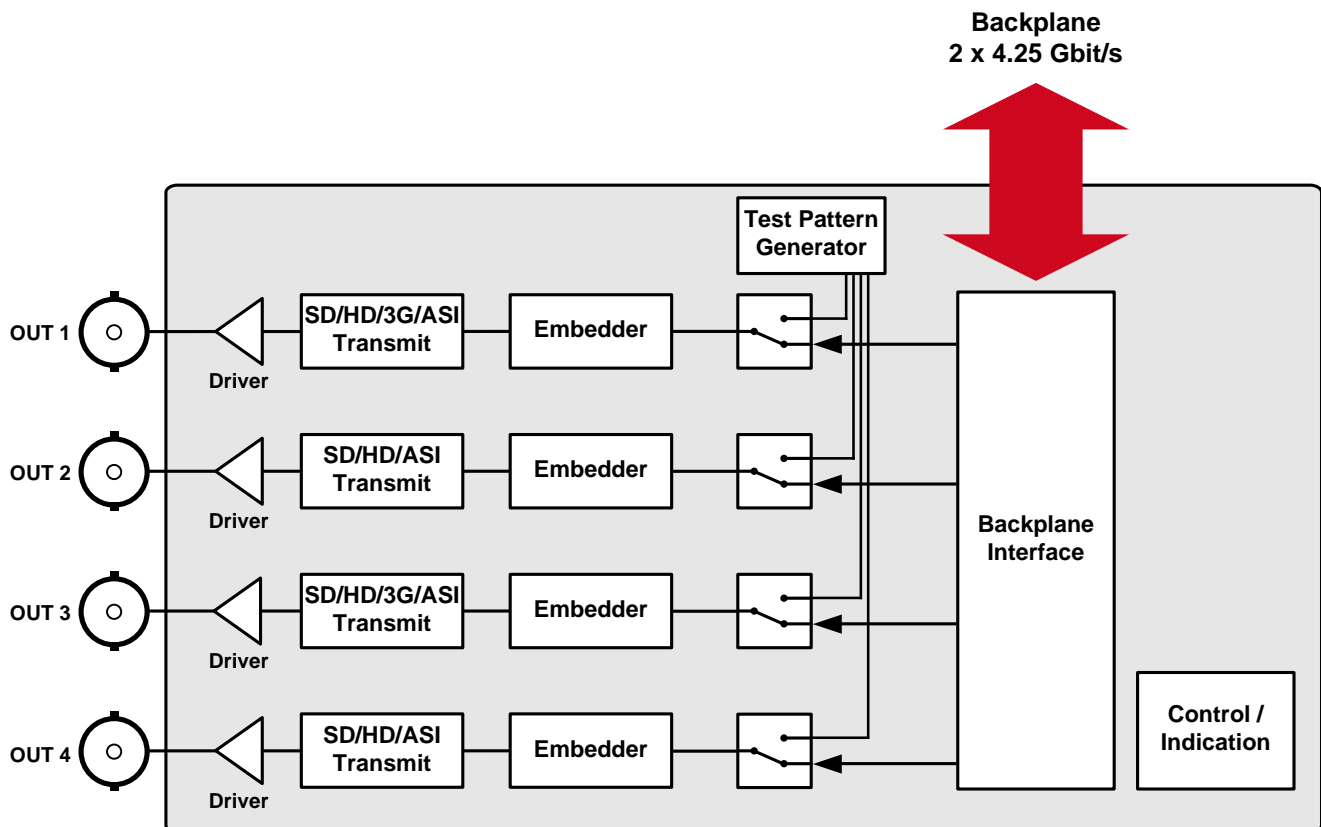
MediorNet MN-HD-40

The MN-HD-40 Card provides four outputs for Video signals.

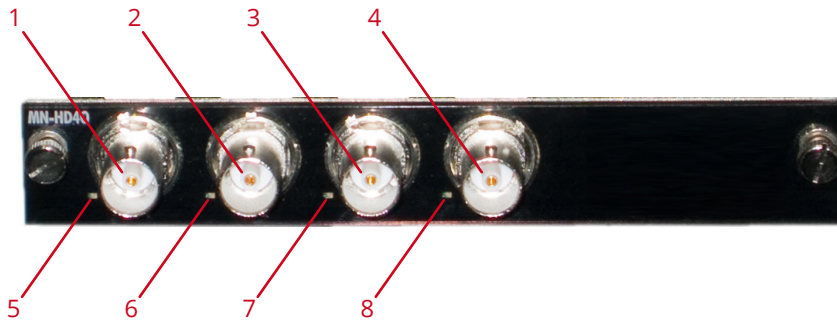
- 4 outputs with BNC connectors
- 4 HD/SD-SDI/ASI Video signals
or
2 3G-SDI Video signals
- Each output operates independently
- Frame Synchronizer
- Video Delay
- Audio Embedder (4 groups)
- Audio Delay
- Video Test Pattern Generator
- On Screen Display (Signal Info, Connection Status, Timecode)
- The MN-HD-40 Card must be fitted into a High-Speed slot and it occupies one slot, so it can be placed in the slots 1, 5, 6, 7, 9 and 10 of the Modular mainframe.



Block Diagram



MediorNet MN-HD-40



Legend

- 1) Output Port 1
- 2) Output Port 2
- 3) Output Port 3
- 4) Output Port 4
- 5) Status LED Port 1
- 6) Status LED Port 2
- 7) Status LED Port 3
- 8) Status LED Port 4

Status LEDs

	off	green	orange	red
Video Out status	No output signal	Valid Video signal	Test Pattern active	Invalid Video signal on input, no output

Outputs

SDI-Video	75 Ω SD/HD/3G Serial Digital with embedded Audio (4 groups)
Output Standards	1.5 Gbps HD-SDI SMPTE292M, 3 Gbps 3G-SDI SMPTE424M/425M Level A – mapping structure 1, SMPTE425M Level B 270 Mbps SD-SDI SMPTE259M, DVB-ASI SMPTE259M/EN50083

System Transport Latencies

Video/Audio Transport Delay	Min. 500 μs, Max. 1 Frame + 150 μs (depending on system synchronisation setup)
-----------------------------	--

Overall

Environmental Temperature	-5 °C to +40 °C (Non-condensing)
Supply Voltage	12 VDC
Power Consumption	17 W
Dimensions (w×h×d)	132 mm × 20 mm × 307 mm
Weight	350 g